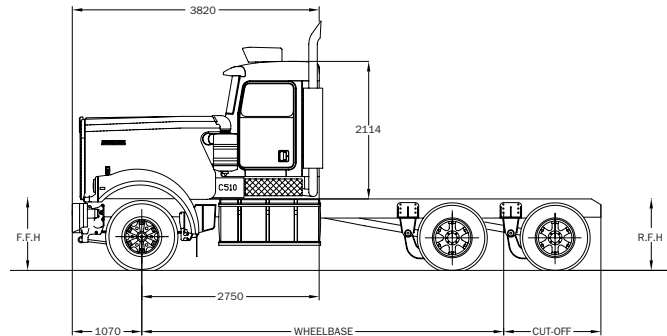


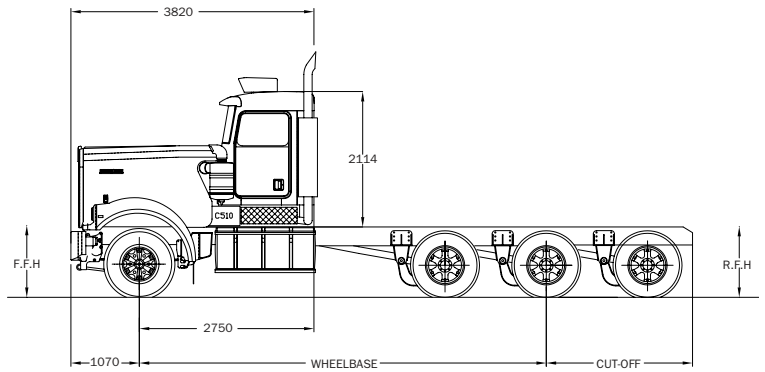
C510

MAIN SPECIFICATIONS

CONFIGURATION	6X4
ENGINE	600 LTA and 600 HP
TRANSMISSION	EATON RTLO221918B
STEER AXLE	MERITOR FL941
DRIVE AXLE	AXLETECH SPRC2197
REAR SUSPENSION	HENDRICKSON R1000
TYRES	MICHELIN 385/95R25
RIMS	TITAN 10 X 25



CONFIGURATION	8X6
ENGINE	600 LTA and 600 HP
TRANSMISSION	EATON RTLO221918B
STEER AXLE	MERITOR FL941
DRIVE AXLE	SISU FR3P-48
REAR SUSPENSION	NEWAY AD390/10
TYRES	BRIDGESTONE 315/80 R22.5
RIMS	TITAN 9.00 X 22.5



Front Frame Height (F.F.H.) mm - Unladen

Front Spring	Tyres		
	315/80 R22.5 M857	385/65 R22.5 R249	385/95 R25 XMH
8.2T Slipper	1145	1148	1268
9.1T Slipper	1180	1183	1303

Rear Frame Height (R.F.H.) mm - Unladen

Rear Suspension	Tyres		
	295/80 R22.5 R150-II M857	315/80 R22.5 M857R249	385/95 R25 XMH
Neway AD369/10	1089	1093	N/A
Hendrickson R1000	N/A	N/A	1367

*C510 - 295mm frame rail

IMPORTANT NOTES

All frame height dimensions are to the top of the frame using 295mm rails.

For illustration purposes different configurations have been used.

Variations will occur due to tare weight differences caused by optional equipment and fuel. Variations of +/- 25mm can be expected on heavy duty trucks.

Heights have been calculated with the tyre in an unladen condition and unless specified Bridgestone tyres have been used in the calculations. Variations will be caused by different tyre manufacturers.

For a wide range of options, contact your Kenworth Dealer.

PACCAR Australia Pty Ltd,
64 Canterbury Road,
Bayswater, Victoria 3153
Phone (03) 9721 1500

www.kenworth.com.au



AUSTRALIAN MADE. WORLD'S BEST.