



T659

DEFINING TOMORROW

DEFINING RELIABILITY



Purpose built
for extreme
Australian
applications.

RUGGED, RELIABLE AND TOUGH

The T659 has the versatility and power to operate in applications ranging from general freight to logging, mining or livestock haulage, on or off the highway in single or multiple trailer configurations.

Supreme performance combined with comfort and safety make the T659 one of the most versatile trucks on or off the road.

T659 — Defining reliability and durability.

Welcome to our Business Class interior, designed to deliver maximum driver confidence, with comfort and control in perfect harmony.



COMFORT AND CONTROL

Classic styling has been teamed with the highest standards of quality and safety in our cab design.

The large one-piece curved windscreen offers a commanding view of the road ahead with excellent all round visibility.

An unobstructed view of gauges and easy access to vital switches and controls are provided by the cleverly designed wrap around dash, enhancing driver comfort and minimising fatigue.

Convenient storage, contemporary trim, privacy curtain, a range of seat options and "Smart Wheel" fingertip access for engine brake and cruise functions, all deliver further driver confidence, comfort and control.

MAIN SPECIFICATIONS & OPTIONS

CONFIGURATION

- 6X4 **standard**
- 8X4 **optional**
- 8X6 **optional**

ISX EGR ENGINE

- ISX EGR 485HP @ 1650LBFT TORQUE **standard**
- ISX EGR 485HP - 600HP @ 1850LBFT TORQUE **optional**
- SIGNATURE EGR 600HP @ 2050LBFT TORQUE **optional**
- EXHAUST**
- DPF MOUNTED RIGHT HAND SIDE UNDER CAB **standard**
- DPF POST MOUNTED **optional**
- DPF MOUNTED UNDER CHASSIS **optional**

ISXe5 SCR ENGINE

- ISXe5 SCR 485HP @ 1650LBFT TORQUE **optional**
- ISXe5 SCR 485HP - 600HP @ 1850LBFT TORQUE **optional**
- SIGNATURE SCR 600HP @ 2050LBFT TORQUE **optional**
- EXHAUST**
- EGP MOUNTED IN-CHASSIS **optional**
- EGP MOUNTED RIGHT HAND SIDE UNDER CAB **optional**
- 170L 625MM DIA UREA TANK **optional**
- 225L RECTANGULAR UREA TANK **optional**

AIR CLEANER

- DUAL 356MM CYCLOPAC COWL MOUNTED **standard**
- DUAL 406MM CYCLOPAC COWL MOUNTED **optional**

TRANSMISSION

- EATON RTL016918B **standard**
- EATON RTL022918B **optional**
- EATON RTL018913A **optional**
- EATON RTL022918A-AS3 **optional**
- EATON ULTRASHIFT PLUS **optional**
 - FO-16E318B-MXP
 - FO-18E318B-MXP
 - FO-20E318B-MXP
 - FO-22E318B-MXP

FRONT AXLE

- DANA E-1462I **standard**
- MERITOR FG941 **optional**
- MERITOR MFS73 **optional**
- MERITOR FL941 **optional**

REAR AXLE

- DANA DSH40P **standard**
- DANA D46-170 **optional**
- DANA D50-170 **optional**
- DANA D52-190 **optional**
- DANA D52-190 WITH LAZY AXLE **optional**
- MERITOR RT40-145 **optional**
- MERITOR RT46-160 **optional**
- MERITOR RT50-160 **optional**
- MERITOR RT52-185 **optional**
- MERITOR RT52-185 WITH LAZY AXLE **optional**
- MERITOR RZ78-188G TRI-DRIVE **optional**

REAR SUSPENSION

- KENWORTH AIRGLIDE 400 **standard**
- KENWORTH AIRGLIDE 460 **optional**
- KENWORTH KW6-60A **optional**
- NEWAY AD246/10 **optional**
- NEWAY AD369/10 **optional**

BRAKES

- DRUM **standard**
- DISC **optional**

WHEELS

- STEEL DISC 10 STUD **standard**
- ALCOA 10 STUD **optional**
- 6 SPOKE **optional**

SLEEPER BOXES

- 915MM FLAT ROOF **optional**
- 915MM AERO II **optional**
- 1270MM AERO II **optional**
- 60" **optional**

FUEL TANKS

- 450L 625MM DIA FUEL TANK LEFT HAND FORWARD **standard**
- RANGE OF PACKAGES AVAILABLE **optional**

PAINT

- SINGLE COLOUR TO CAB **standard**
- UP TO 3 COLOURS 6 BREAKS **optional**

KITS

- FUEL HAUL & GAS HAUL **optional**

GCM

- 90 TONNE LIMIT*

*higher rating subject to application approval

APPLICATION ENGINEERED

Kenworths work harder for longer, because they are purpose designed for their intended task, then manufactured to those exacting specifications with uncompromising quality, at our world-class production facility in Bayswater, Victoria.

We look carefully at your specific application and performance requirements and engineer the best possible combination of

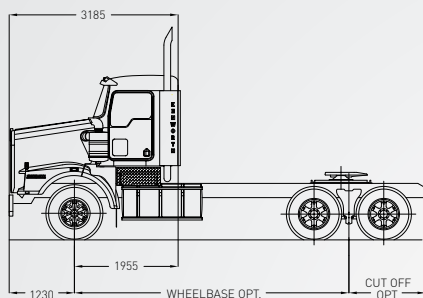
chassis, engine, transmission and drivelines from our extensive range of options.

Through Application Engineering at the design/specification phase, the features and benefits that best meet your needs can be included at the factory level as an integrated solution, delivering enhanced productivity, durability, reliability and safety.

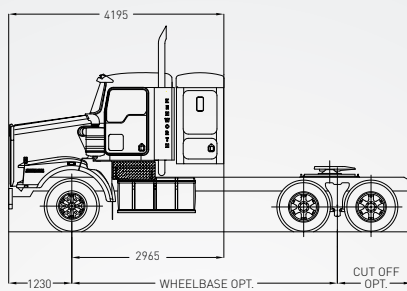
For example, Kenworth trucks can be built to a variety of wheelbases with components mounted onto the frame to suit your needs. We optimise the strength of each frame by locating the various parts so that loads are evenly spread and fuel tank capacity can be maximised

UP CLOSE & TECHNICAL

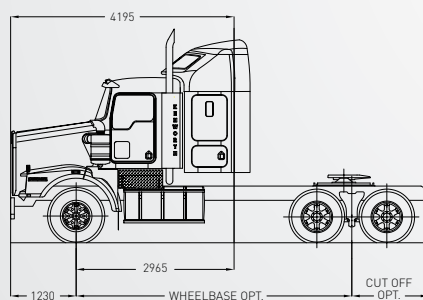
T659 DAY CAB



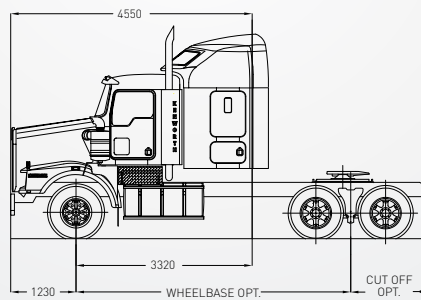
T659 915MM SLEEPER BOX FLAT ROOF



T659 915MM SLEEPER BOX AERO II ROOF



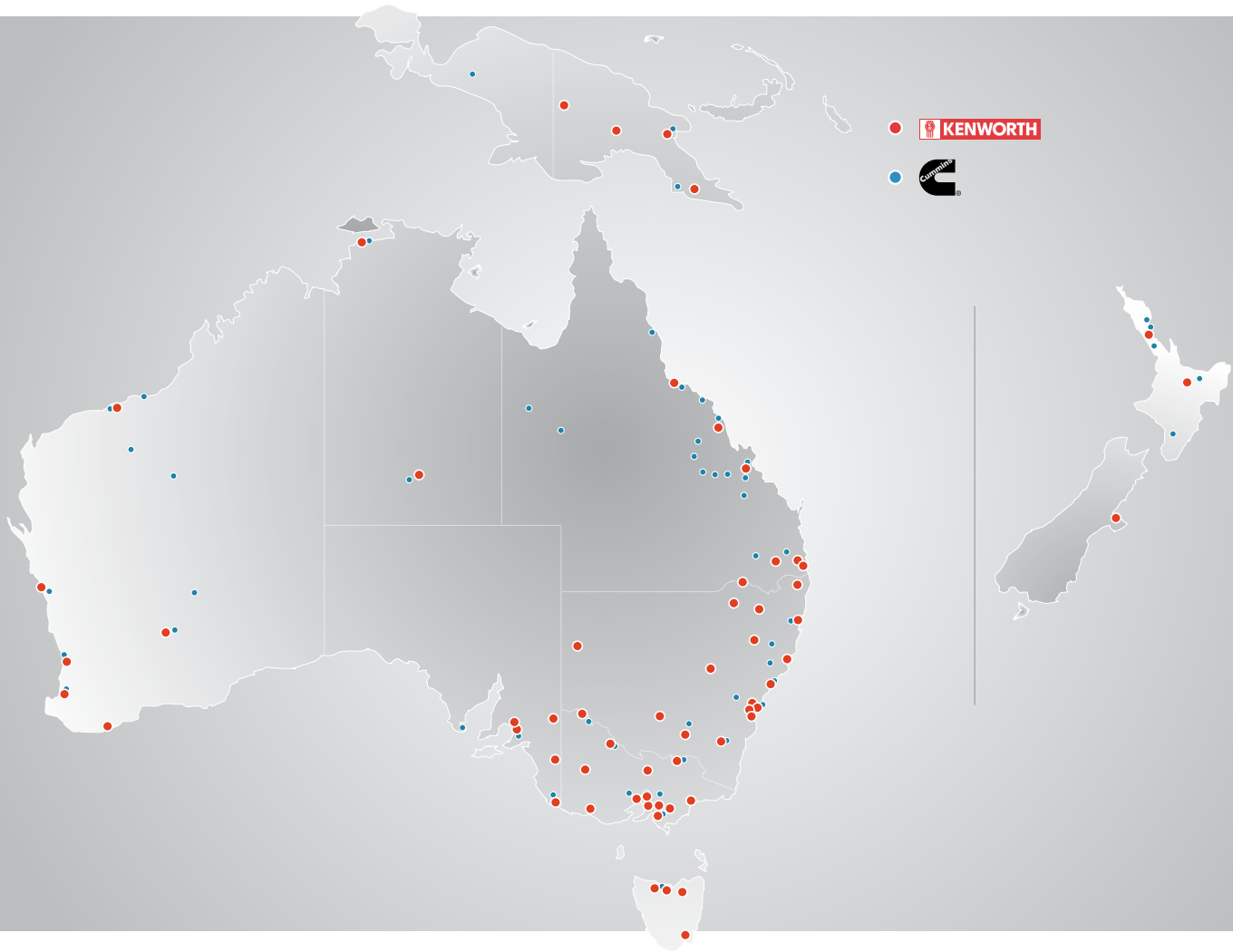
T659 1270MM SLEEPER BOX AERO II ROOF



THE POWER OF CHOICE

Whichever road you take regarding engine emission technology rest assured you'll make the right choice with Kenworth. Offering the best of both worlds with the option of the Cummins ISX or Cummins Signature with EGR or Cummins ISXe5 up to 600hp with SCR after-treatment.

DEFINING THE BEST DEALER NETWORK



Kenworth has built an extensive truck dealer network across Australia, New Zealand and Papua New Guinea that is renowned for its professionalism and excellence in the heavy duty truck industry.

Our dedicated 1800 Roadside Assistance Service covers Australia 24-7. Simply call 1800 4 PACCAR (1800 472 222) to be connected to your nearest PACCAR Dealer.

For more information contact your local Kenworth Dealer or go to www.kenworth.com.au

PACCAR Australia Pty Ltd,
64 Canterbury Road,
Bayswater, Victoria 3153

Telephone (03) 9721 1500
Facsimile (03) 9720 4144

Find us at:  



IMPORTANT: The vehicles shown in this brochure are for illustrative purposes only and may include some non-standard optional equipment. All weights and measurements should be regarded as approximate only. For full details contact your Kenworth Dealer. In the interests of product improvement, Kenworth reserves the right to change these specifications without prior notice.



T659-0214